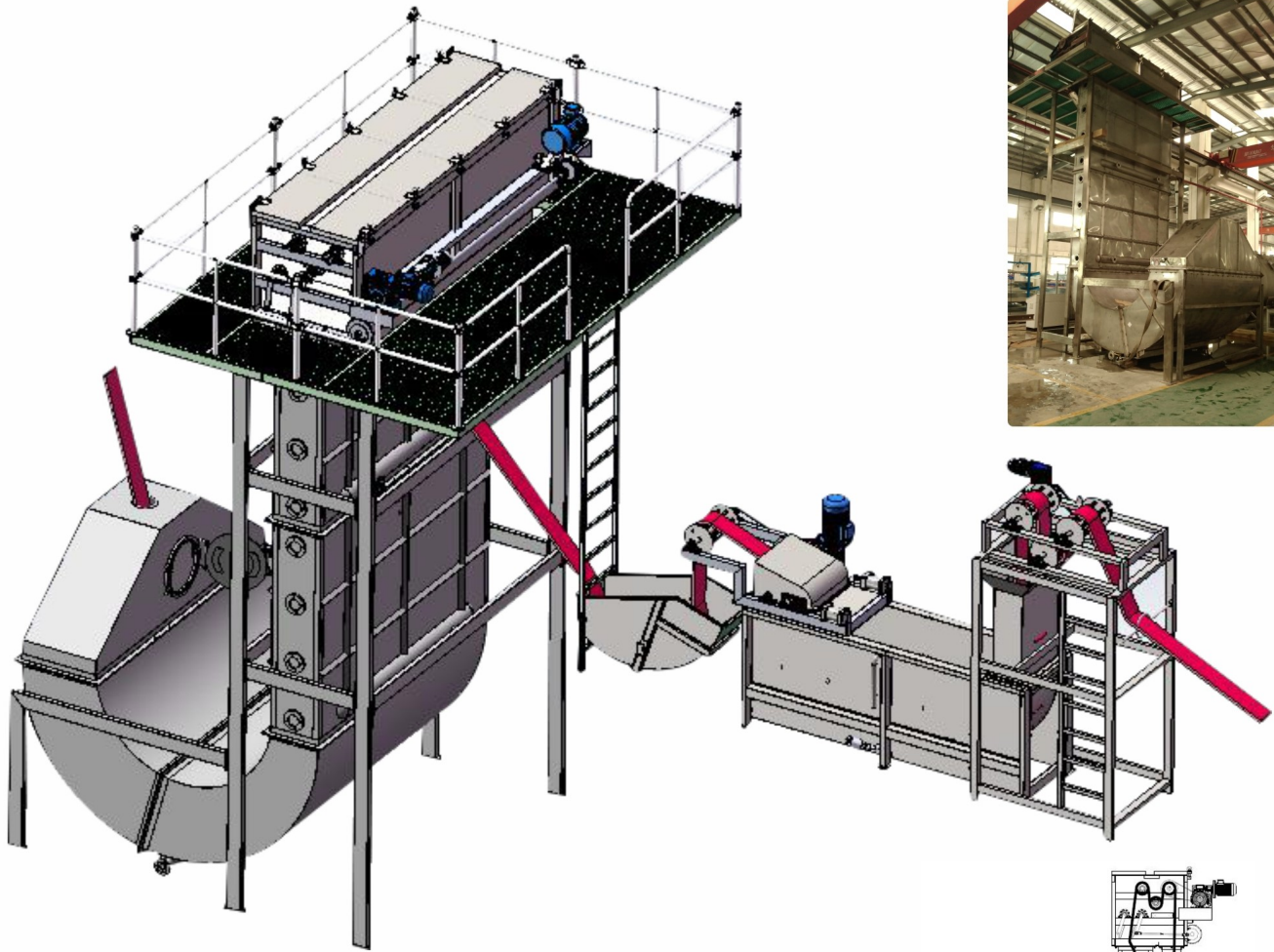


TJB

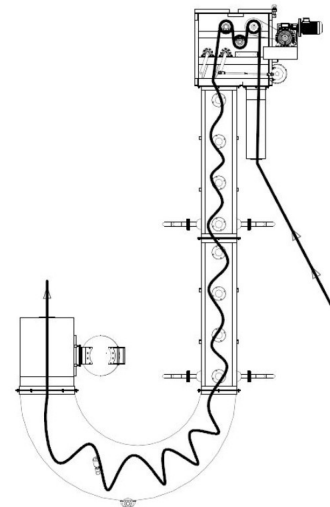
CONTINUES SCOURING & BLEACHING RANGE IN ROPE FORM

连续绳状煮练前处理机

TJB is applied to bulk and continues production of scouring, bleaching for terry towel fabric in rope form. It consists of Loading Device, Chemical Saturator, Rope Fabric layout device, Steamer and Unloading device. The rope cotton fabric is treated by steamer in high temperature after saturated with chemicals to achieve scouring & bleaching result. It's Characteristics: Extra High efficiency, low energy consumption, Saving chemicals. Etc. TJB is the most economic way for towel pretreatment in bulk production among all well-known treatment way!



TJB适合量产毛巾的绳状连续煮漂，精炼。由入布装置，助剂渗透装置，绳状摆幅装置，蒸箱和出布装置组成。绳状胚布经助剂渗透后被高温煮漂和精炼处理。特点为产量大，能耗小，助剂利用率高，经济性显著，特别适合大批量生产，其生产成本是所有已知前处理方式中最低的。



| MODEL 机型 | CAPACITY(KG) 载量 | MAX.SPEED 最高速度 | INSTALLED POWER (KW) 总功率 | DIMENSIONS(MM) 外形尺寸 | | |
|-------------|--------------------|-------------------|--------------------------------|---------------------|---------|----------|
| | | | | Length 长 | Width 宽 | Height 高 |
| TJB | 2500 | 92M/min | 12.7 | 4979 | 3479 | 8890 |